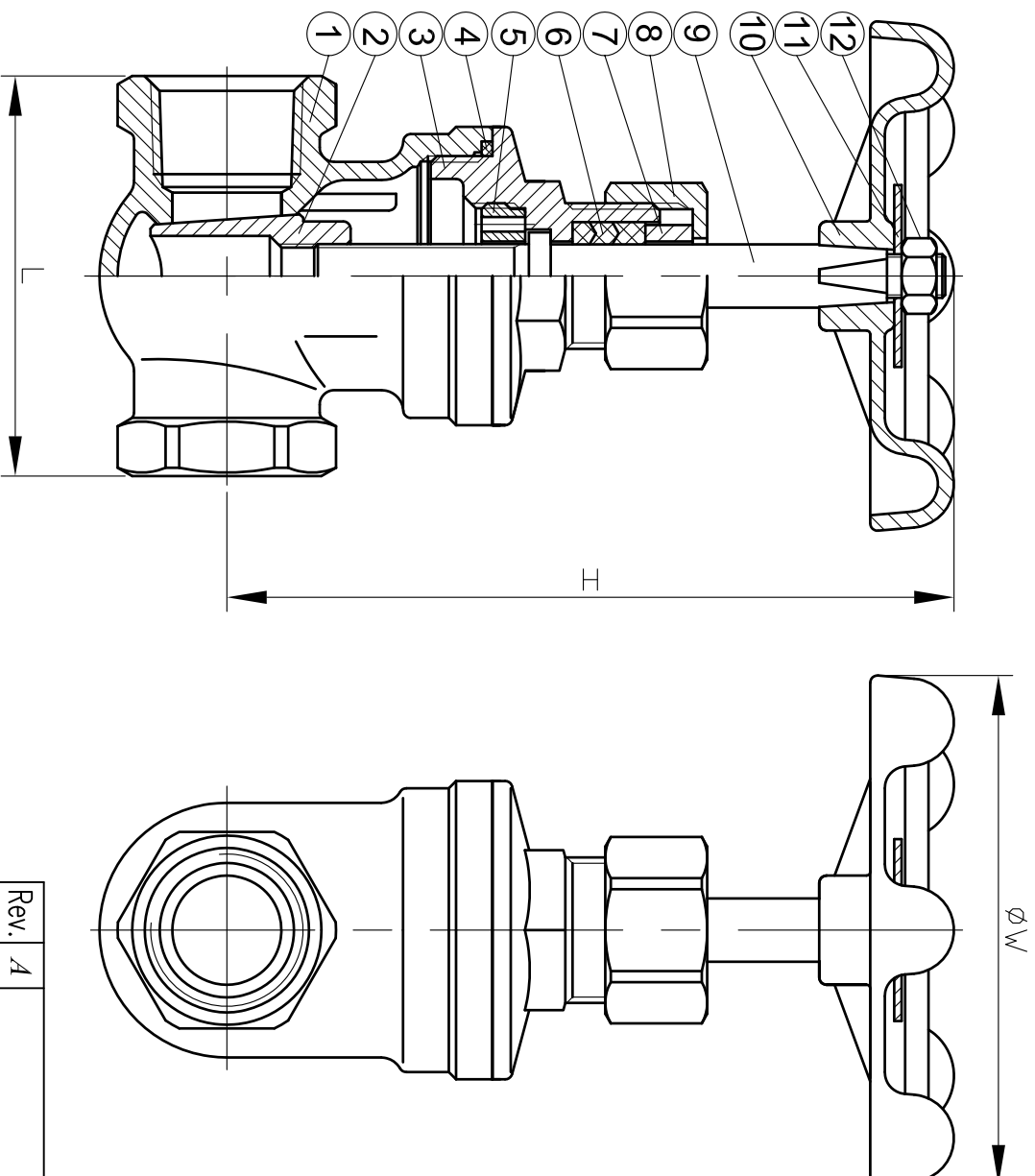
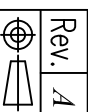


SIZE	NPS										
	1/2"	3/4"	1"	1 1/4"	1 1/2"	2"	2 1/2"	3"			
DN	15	20	25	32	40	50	65	80			
L	55	60	65	75	85	95	116	130			
H	100	107	110	130	147	170	213	239			
W	70	70	80	80	90	100	100	115			
WEIGET/KGS	0.433	0.628	0.818	1.120	1.622	2.270	5.22	9			



- FEATURES**
- PIPE THREAD IN ACCORDANCE: NPT, BSPT  
DIN259, DIN2999, ISO228 CLASS A
  - CLASS 200 W.O.G.
  - INVESTMENT CASTING BODY
  - INSIDE SCREW AND SCREWED BONNET
  - WEDGE DISC
  - INTEGRAL SEAT
  - NON RISING STEM AND HAND WHEEL
  - MATERIAL: SS316 / ASTM A351  
GI-CF8M / DIN1.4408

ITEM	PART NAME	MATERIAL
1	BODY	CF8M
2	DISC	CF8M
3	BONNET	CF8M
4	GASKET	PTFE
5	WHORL GASKET	SUS304
6	PACKING	PTFE
7	GLAIND	SUS304
8	CAP NUT	CF8M
9	STEM	SUS316
10	HANDLE	ALUMINNUM
11	NAMEPLATE	ALUMINNUM
12	STEM NUT	SUS304



Rev. 4

Checked	Date	Type	VC-GA	
Morris	2008/10/27			
Designer	Scale	Dwg_No.	VC_311(CLASS 200)_133	
Kevin	Fit			
Drawn	Describe	GATE VALVE		
Kevin				