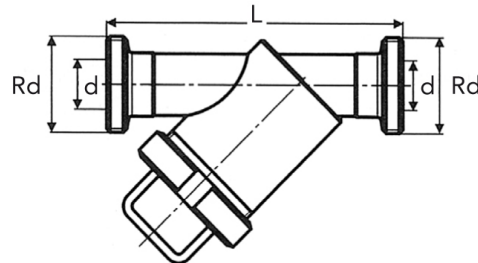


strainer M-M, complete  
with insert, no. 583

[short name: 583\\*](#)

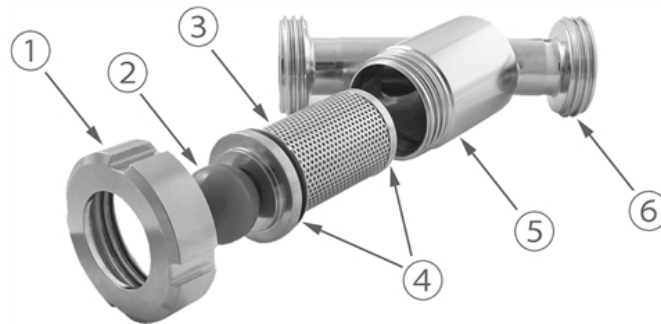
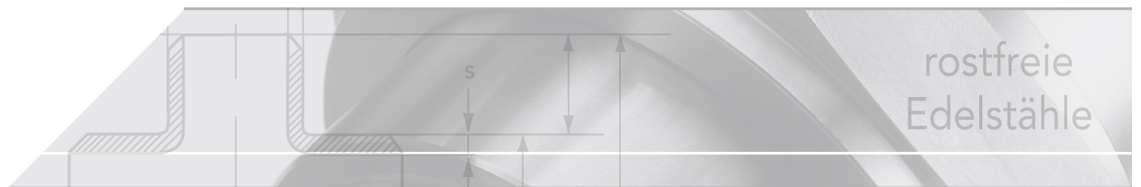


### technical product sheet

DN	L	d	Rd	kg	Art.-Nr.
25	156	26	52x1/6"	1,215	GL-583-025
32	163	32	58x1/6"	1,920	GL-583-032
40	187	38	65x1/6"	2,340	GL-583-040
50	226	50	78x1/6"	3,350	GL-583-050
65	267	66	95x1/6"	6,216	GL-583-065
80	300	81	110x1/4"	7,220	GL-583-080
100	320	100	130x1/4"	9,500	GL-583-100

available material: ask

Beverage fittings > filter & strainers > strainers



### Parts list

No.	Designation	Property	Material
1	Locknut	Nr. 210	304L
2	Use	Handle or Ball	304L or PVC (blue)
3	Filter	No. 583E drill hole 1,5 m	316L
3a	Fine filter	No. 583F* (optional)	316
4	O-ring (2x)	Nr. 586 (standard)	NBR
4a		No. 586 E	EPDM
4b		No. 586 V	Viton
4c		No. 586 S	Silicon
5	Body	starting with DN 65 arced	316L
6	G-G	No. 583	316L
6a	S-S	No. 584	316L
6b	Clamp	No. 585	316L

\*Please specify mesh size (version lining). Alternative available as gap pipe 0,5 or 1,0 mm.