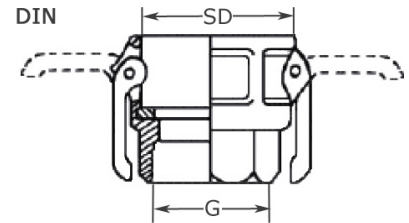
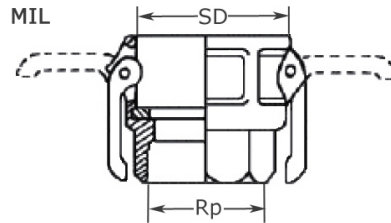


female coupler, female thread

[short name: KLD*](#)

type D

Camlock quick coupling

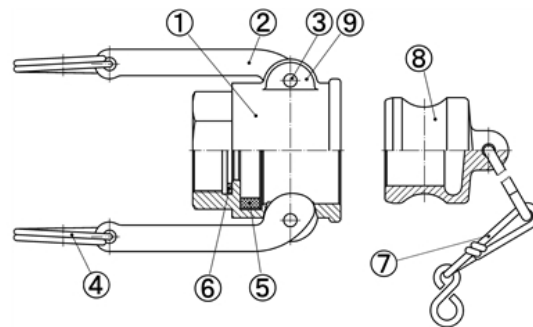
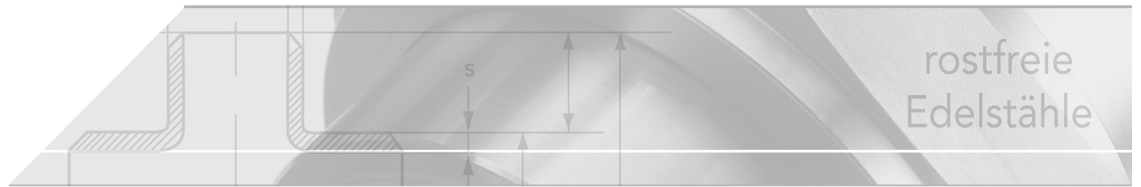


technical product sheet

Typ	DN	Gew.	Zoll	SD	Art.-Nr.
Mil	15	Rp	1/2"	25	KAML-D-012-4MIL
Mil	20	Rp	3/4"	32	KAML-D-034-4MIL
Mil	25	Rp	1"	37	KAML-D-100-4MIL
Mil	32	Rp	1 1/4"	45	KAML-D-114-4MIL
Mil	40	Rp	1 1/2"	53	KAML-D-112-4MIL
Mil	50	Rp	2"	63	KAML-D-200-4MIL
Mil	65	Rp	2 1/2"	76	KAML-D-212-4MIL
Mil	80	Rp	3"	92	KAML-D-300-4MIL
Mil	100	Rp	4"	120	KAML-D-400-4MIL
Mil	125	Rp	5"	145	KAML-D-500-4MIL
Mil	150	Rp	6"	175	KAML-D-600-4MIL
DIN EN	20	G	3/4"	32	KAML-D-034-4DIN
DIN EN	25	G	1"	37	KAML-D-100-4DIN
DIN EN	32	G	1 1/4"	45	KAML-D-114-4DIN
DIN EN	40	G	1 1/2"	53	KAML-D-112-4DIN
DIN EN	50	G	2"	63	KAML-D-200-4DIN
DIN EN	65	G	2 1/2"	76	KAML-D-212-4DIN
DIN EN	80	G	3"	92	KAML-D-300-4DIN
DIN EN	100	G	4"	120	KAML-D-400-4DIN

available material: V4A

Systems > quick couplings > Camlock > type D



Parts list

Female coupling (socket) Form D and male couplings (plug connector) Form DP

No.	Designation	Materials	Quantity
1	Socket with Ig	V4A	1
2	Lever arm	Stainless steel	2
3	Bolts	Stainless steel	2
4	Ring	Spring steel	2
5	Main seal	NBR**	1
6	Threaded seal*	PTFE**	1
7	Chain (optional)	Stainless steel	1
8	Plug	V4A	1
9	Eyelets	V4A	4

* = Only for DIN EN design

** = Additional materials available on request

