

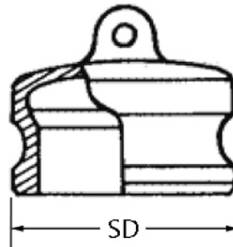
dust plug - type DP

[short name: KLDP*](#)

Camlock quick coupling

acc. of MIL-C-27487

EN 14420-7 (DIN 2828)

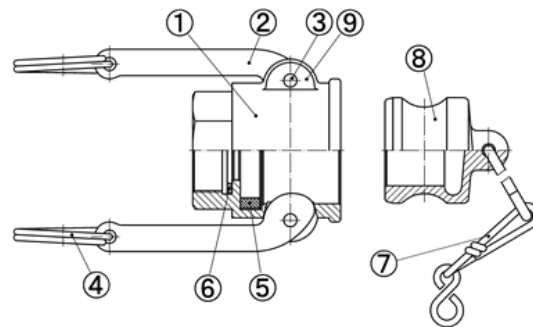


technical product sheet

| DN | Zoll | SD | kg | Art.-Nr. |
|-----|--------|-----|-------|--------------|
| 15 | 1/2" | 25 | 0,065 | KAML-DP012-4 |
| 20 | 3/4" | 32 | 0,058 | KAML-DP034-4 |
| 25 | 1" | 37 | 0,080 | KAML-DP100-4 |
| 32 | 1 1/4" | 45 | 0,227 | KAML-DP114-4 |
| 40 | 1 1/2" | 53 | 0,177 | KAML-DP112-4 |
| 50 | 2" | 63 | 0,311 | KAML-DP200-4 |
| 65 | 2 1/2" | 76 | 0,716 | KAML-DP212-4 |
| 80 | 3" | 92 | 0,929 | KAML-DP300-4 |
| 100 | 4" | 120 | 1,207 | KAML-DP400-4 |
| 125 | 5" | 145 | 0,000 | KAML-DP500-4 |
| 150 | 6" | 175 | 2,077 | KAML-DP600-4 |

available material: V4A

Systems > quick couplings > Camlock > type DP



Parts list

Female coupling (Socket) Form D and male couplings (plug connector) Form DP

| No. | Designation | Material | Quantity |
|-----|------------------|-----------------|----------|
| 1 | Socket with Ig | V4A | 1 |
| 2 | Lever arm | Stainless steel | 2 |
| 3 | Bolts | Stainless steel | 2 |
| 4 | Ring | Spring steel | 2 |
| 5 | Main steel | NBR** | 1 |
| 6 | Threaded seal* | PTFE** | 1 |
| 7 | Chain (optional) | Stainless steel | 1 |
| 8 | Plug | V4A | 1 |
| 9 | Eyelets | V4A | 4 |

* = Only for DIN EN design

** = Additional materials available on request

