

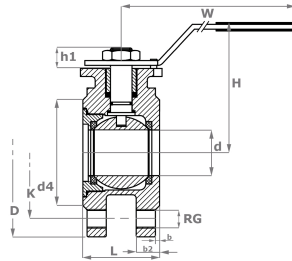
wafer-type ball valve

[short name: KK.\\*](#)

1-piece, full port

for direct actuator mounting

- Anti-Static-Device



### technical product sheet

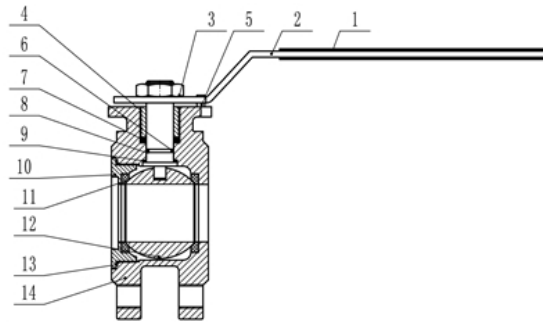
DN	Zoll	L	H	h1	W	d	D	k	d4	M	PN	Art.-Nr.
15	1/2"	42	83	9	143	15	95	65	45	4 x M12	16	KK-012-000
20	3/4"	44	89	9	143	20	105	75	58	4 x M12	16	KK-034-000
25	1"	50	96	11	163	25	115	85	68	4 x M12	16	KK-100-000
32	1 1/4"	60	108	11	163	32	140	100	78	4 x M16	16	KK-114-000
40	1 1/2"	65	115	15	188	38	150	110	88	4 x M16	16	KK-112-000
50	2"	80	125	15	188	50	165	125	102	4 x M16	16	KK-200-000
65	2 1/2"	110	128	17	350	65	185	145	122	4 x M16	16	KK-212-000
80	3"	120	145	17	350	76	200	160	138	8 x M16	16	KK-300-000
100	4"	150	170	22	350	94	220	180	158	8 x M16	16	KK-400-000

available material: V4A

Industrial valves > ball valves > flanged ends > 1-piece

full description:

wafer-type ball valve  
 1-piece, full port  
 for direct actuator mounting  
 - Anti-Static-Device  
 - anti-static



### Parts List

No.	Designation	Material
1.	Hand sleeve	PVC (blue)
2.	Handle	SUS 304
3.	Nut	V2A (AISI 304)
4.	Stem packing	V2A (AISI 304)
5.	Locking pin	V2A (AISI 304)
6.	O-Ring	Viton*
7.	Stem ring	V2A (AISI 304)
8.	Steam seal	PTFE
9.	Pressure disk	PTFE
10.	Stem	316
11.	Flange	V4A (CF8M/ 1.4404)
12.	Ball seal	PTFE
13.	Ball	316
14.	Housing seal	PTFE
15.	Housing	V4A (CF8M/ 1.4408)

\*Details see dimensions table

Torque

DN	N-m
15	8
20	10
25	15
32	20
40	30
50	40
65	70
80	100
100	140

ISO-Top

DN	F	V
15	F03/04	9
20	F03/04	9
25	F04/05	11
32	F04/05	11
40	F05/07	14
50	F05/07	14
65	F07/10	17
80	F07/10	17
100	F07/10	22

Features

- Flange connection acc. to DIN 2633 PN 16, with threaded hole
- Anti-static device
- ISO-Top for direct actuator mounting acc. to ISO 5211
- Anti-Statik - Certificate acc. to ATEX Ex h IIC T4 Gb

