

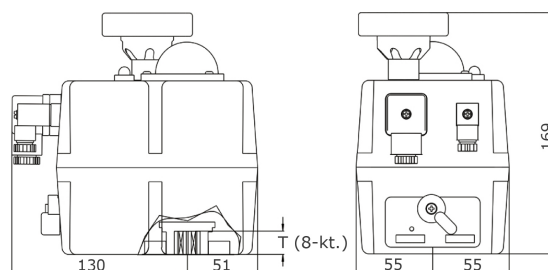
elektrický pohon

série J4C S20

> 24 - 240 V st/ss

> 2 volt-free limit switches

[zkratka označení: EA20*](#)



technický list výrobku

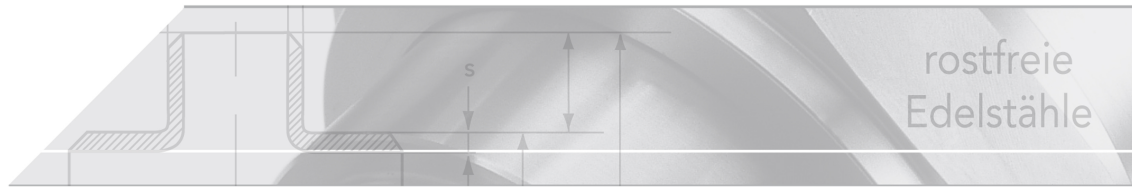
Volt	Akku	DPS	Signal	Pot	8kt.
24-240V	JA	JA	4-20mA	NEIN	9 mm
24-240V	JA	JA	4-20mA	NEIN	11 mm
24-240V	JA	JA	4-20mA	NEIN	14 mm
24-240V	JA	NEIN	-	JA	9 mm
24-240V	JA	NEIN	-	JA	11 mm
24-240V	JA	NEIN	-	JA	14 mm
24-240V	JA	NEIN	-	NEIN	9 mm
24-240V	JA	NEIN	-	NEIN	11 mm
24-240V	JA	NEIN	-	NEIN	14 mm
24-240V	NEIN	JA	4-20mA	NEIN	9 mm
24-240V	NEIN	JA	4-20mA	NEIN	11 mm
24-240V	NEIN	JA	4-20mA	NEIN	14 mm
24-240V	NEIN	NEIN	-	JA	9 mm
24-240V	NEIN	NEIN	-	JA	11 mm
24-240V	NEIN	NEIN	-	JA	14 mm
24-240V	NEIN	NEIN	-	NEIN	9 mm
24-240V	NEIN	NEIN	-	NEIN	11 mm
24-240V	NEIN	NEIN	-	NEIN	14 mm

dostupné jakosti: na poptávku

Armatury > kulové kohouty > s pohonem > elektrické > pohony > 20 Nm

Úplný popis:

elektrický pohon
 série J4C S20
 > 24 - 240 V st/ss
 > 2 volt-free limit switches
 > 2 bezpotenciálové koncové spínače
 > krytí: IP 67
 > s ručním nouzovým ovládním
 > vyhřívání
 > elektrický omezovač točivého momentu
 > přípojka dle ISO 5211
 > multipříruba F03/F04/F05
 (Viz prosím provozní příručka!)



All models are available in different colours.

Series J4C-S Model 20	Properties
Voltage range	24-240V AC + 24-135V DC (50/60 Hz)
Current consumption	min. 0,1 A - max. 1,2 A
Running time (s/90°) [+/-10%]	10 s
Heating	3,5 W
Breakaway torque	25 Nm
Working torque	20 Nm
Duty Cycle [ED]*	75%
Type of protection	IP 67
Temperature range	-20°C to +70°C
Connection	DIN 43650, ISO 4400, C-192/C-193
Housing	Polyamid (PA6)
LxWxH	181x110x169
with 8-edge consumption	9, 11 or 14 mm
Consumption depth	10, 12 or 16
Flange pattern	F03/F04/F05
Weight	1,9 kg

Duty Cycle

After each run time of the actuator, a break of 25% of the total running time is necessary to avoid damaging the drive.

Designation	Time	On-drive 0°-90°	On/Off-drive 0°-90°-0°
Running time (75%)	10 s	1	0
Break (25%)	2,5 s	1	0
Total time (100%)	12,5 s	1	0
per minute	60 s	4	2
per 10 minutes	600 s	48	24
per hour	3600 s	288	144

-> 3600 s: 12,5 s = 288 drives

Features:

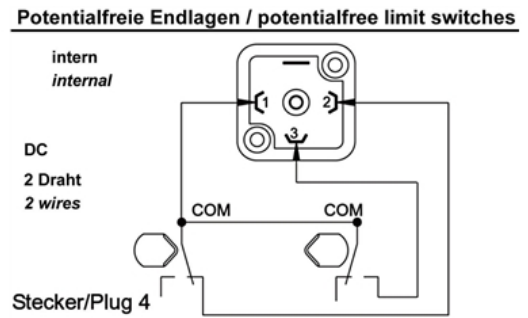
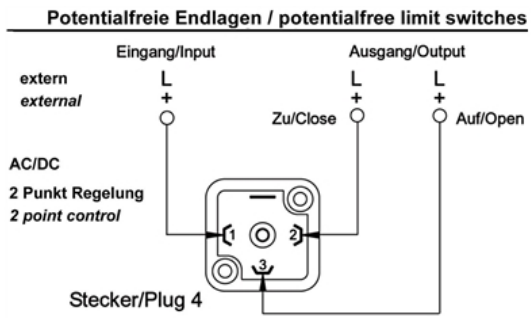
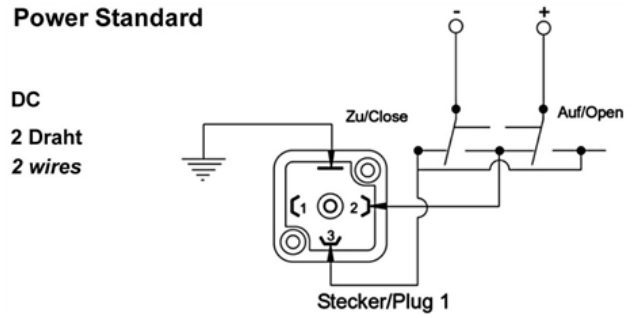
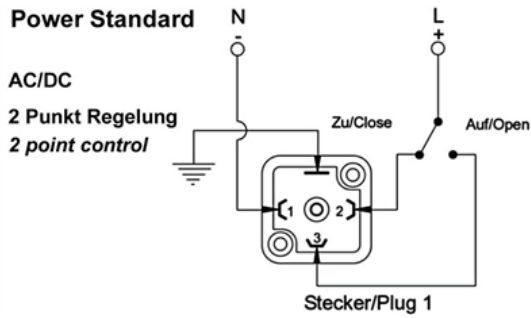
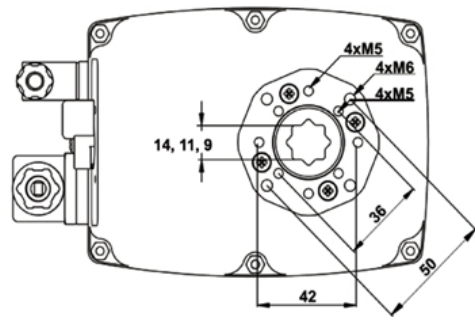
- ETL: Electronic Torque Limiting
The electronic torque limiter protects valves and actuators against damage from overloading.
- AVS: Automatic Voltage Sensing
All voltages are covered automatically and without configuration by two voltage variants.
The running times and torques remain unchanged in this case.
- ATC: Automatic Temperature Control
Including switching room heater. If the voltage is not switched off externally, the automatic switching space heater works to prevent the formation of condensed water buildup inside the actuator.
- Unlocked mechanically
The gearbox is unlocked when the protection circuit of the limiter is activated or when the end position is reached (rotated in reverse) in order to allow an easy transition from the automatic mode to the manual mode. The self-inhibiting property of the actuator is unchanged.
- Low-ear, corrosion-resistant, and high-strength housing made of Polyamid.
- High stiffness (self-inhibiting)
- Manual override
- Two limit switches for controlling the motor with electronic motor cut-off
- Two limit switches for reporting the position

Optional Features:

- Potentiometer 0°-180°, 0°-90°-180° (optionally 1K, 5K or 10K)
- Backup battery pack / BBP
- Positioning system / DPS (optionally 0-10V or 4-20mA, Input and Output)

Wiring

The standard circuit diagram provides a 3-wire circuit for AC and DC.
Alternatively, a 2-wire DC wiring is possible.



als 3D-Modell verfügbar