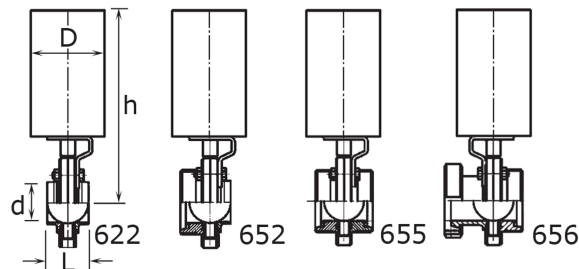


butterfly valve air/spring
with pneumatic actuator

[short name: 600F*](#)



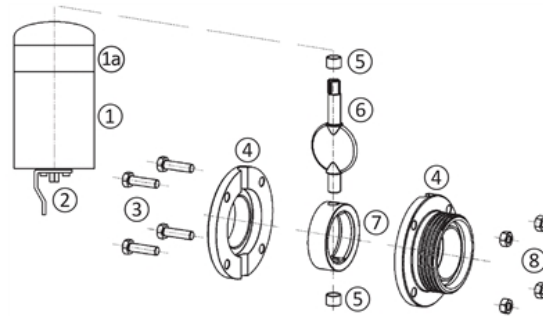
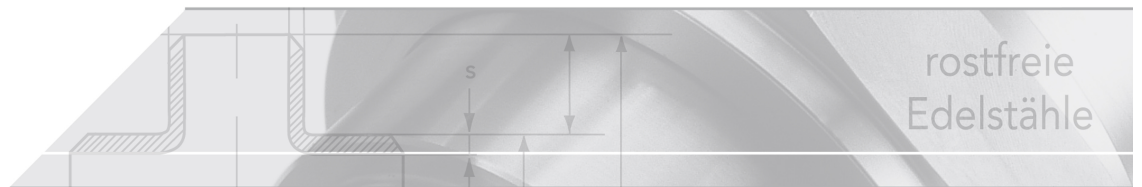
technical product sheet

Nr.	Anschl.	DN	d	d1	L	h	D
622	S-S DIN	25	26	29,0	40	248	89,0
622	S-S DIN	32	32	35,0	42	250	89,0
622	S-S DIN	40	38	41,0	50	252	89,0
622	S-S DIN	50	50	53,0	50	256	89,0
622	S-S DIN	65	66	70,0	50	262	89,0
622	S-S DIN	80	81	85,0	60	268	104,0
622	S-S DIN	100	100	104,0	64	275	104,0
622	S-S DIN	125	125	129,0	112	358	129,0
622	S-S DIN	150	150	154,0	90	374	129,0
622I	S-S ISO	25	30	33,7	40	248	89,0
622I	S-S ISO	32	38	42,4	42	250	89,0
622I	S-S ISO	40	44	48,3	50	252	89,0
622I	S-S ISO	50	56	60,3	50	256	89,0
622I	S-S ISO	65	72	76,1	50	262	89,0
622I	S-S ISO	80	85	88,9	60	268	104,0
622I	S-S ISO	100	109	114,3	64	275	104,0
652	G-S DIN	25	26	29,0	52	248	89,0
652	G-S DIN	32	32	35,0	53	250	89,0
652	G-S DIN	40	38	41,0	61	252	89,0
652	G-S DIN	50	50	53,0	61	256	89,0
652	G-S DIN	65	66	70,0	63	262	89,0
652	G-S DIN	80	81	85,0	80	268	104,0
652	G-S DIN	100	100	104,0	84	275	104,0
652	G-S DIN	125	125	129,0	112	358	129,0
652	G-S DIN	150	150	154,0	101	375	129,0
655	G-G	25	26	29,0	64	248	89,0
655	G-G	32	32	35,0	64	250	89,0
655	G-G	40	38	41,0	72	252	89,0
655	G-G	50	50	53,0	72	256	89,0
655	G-G	65	66	70,0	76	262	89,0
655	G-G	80	81	85,0	100	268	104,0
655	G-G	100	100	104,0	104	275	104,0
655	G-G	125	125	129,0	112	358	129,0
655	G-G	150	150	154,0	112	375	129,0
656	K/M-G	25	26	29,0	74	248	89,0
656	K/M-G	32	32	35,0	78	250	89,0

Nr.	Anschl.	DN	d	d1	L	h	D
656	K/M-G	40	38	41,0	87	252	89,0
656	K/M-G	50	50	53,0	89	256	89,0
656	K/M-G	65	66	70,0	95	262	89,0
656	K/M-G	80	81	85,0	117	268	104,0
656	K/M-G	100	100	104,0	128	275	104,0
656	K/M-G	125	125	129,0	146	358	129,0
656	K/M-G	150	150	154,0	138	375	129,0

available material: ask

Beverage fittings > valves & cocks > butterfly valves > with pneumatic actuator > air/spring



Parts list

No.	Designation	Short description
1	pneumatic actuator air/spring	678
1a	-"- with TOP*	678T
2	Retaining bracket	615
3	Mounting screws	
4	Base body	
5	Bush	610B
6	Rotary disk valve	610
7	Seal	676
8	Nuts	

*With integrated solenoid valves and proximity switches.

For use with the following rotary actuators

DN	No. 678
25	Type 002
32	Type 002
40	Type 002
50	Type 002
65	Type 002
80	Type 004
100	Type 004
125	Type 006
150	Type 006

Materials

V2A	V4A
AISI 304/ 304L - 1.4301/ 1.4306, 1.4307	AISI 316L - 1.4404

Types of connections

Type	Designation	Number
BW-BW	Welding ends - Welding ends	622
M-BW	Threads - Welding ends	652
M-M	Threads - Threads	655
F-M	Taper/Nut - Threads	656
F-BW	Taper/Nut - Welding ends	662
F-F	Taper/Nut - Taper/Nut	666

Features

- With double-acting actuator – air-opened / spring-closed (Fig. 3/#1)
- Also available in a "TOP" design with integrated solenoid valves and proximity switches (Fig. 3/#1a)
- Self-lubricating bushing
- No metal-to-metal contact points
- Exact running accuracy
- Optimal running properties
- Longer service life of the seals
- Seal materials: EPDM, HNBR, silicon, Viton

