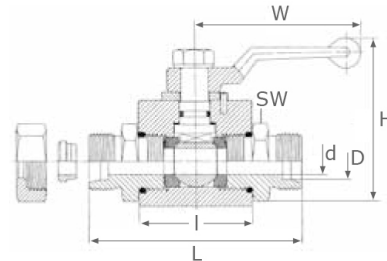


ball valve block version  
high pressure  
cutting ring con. DIN 2353

[short name: BKH\\*](#)

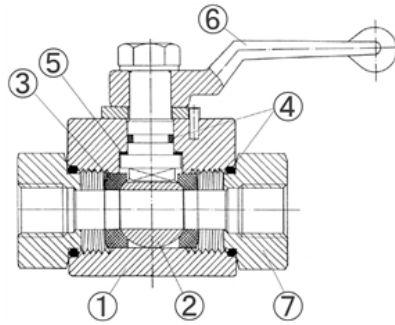
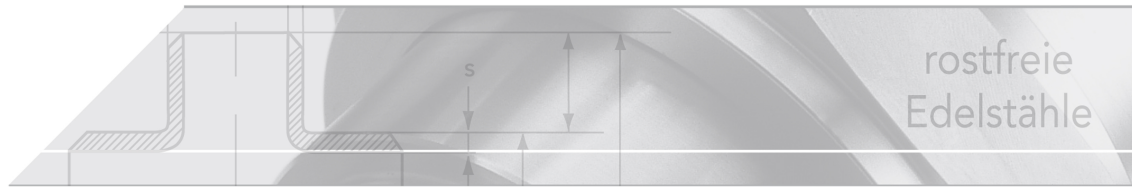


### technical product sheet

Typ	Reihe	D	PN	DW	d	H	L	I	W	SW	Art.-Nr.
HKS	leicht	6	315	POM	5,0	82	67	40	115	22	BKHL-06
HKS	leicht	8	315	POM	6,0	82	67	40	115	22	BKHL-08
HKS	leicht	10	315	POM	8,0	82	74	40	115	22	BKHL-10
HKS	leicht	18	315	POM	13,0	89	82	48	115	30	BKHL-18
HKS	leicht	22	160	POM	20,0	79	101	62	200	41	BKHL-22
HKS	leicht	28	160	POM	25,0	87	108	66	200	50	BKHL-28
HKS	leicht	35	160	POM	32,0	87	112	66	200	55	BKHL-35
HKS	schwer	8	500	POM	5,0	82	73	40	115	22	BKHS-08
HKS	schwer	12	500	POM	8,0	82	76	40	115	22	BKHS-12
HKS	schwer	14	500	POM	10,0	86	80	43	115	27	BKHS-14
HKS	schwer	16	500	POM	13,0	89	86	48	115	30	BKHS-16
HKS	schwer	20	400	POM	18,0	89	90	48	115	30	BKHS-20
HKS	schwer	25	315	POM	20,0	79	109	49	200	41	BKHS-25
HKS	schwer	30	315	POM	25,0	87	120	66	200	50	BKHS-30

available material: ask

Industrial valves > ball valves > threaded ends > high pressure > block version PN 500 > pipe connection DIN 2353



Parts list

No.	Designation	Material
1.	Housing	1.4571
2.	Ball	1.4571
3.	Shell seal	POM (optional PEEK)
4.	Seal	O-ring FPM (Viton)
5.	Spindle gasket	PTFE
6.	Lever	Die cast
7.	Screw neck	1.4571
7a type of connection	BKHG	female thread acc. to DIN ISO 228
7b type of connection	BKHL	DIN 2353 light series
7c type of connection	BKHS	DIN 2353 heavy series
7d type of connection	BKHN	thread acc. to NPT ANSI B 1.20.1

Seal material	Temperature
POM (standard)	max. +100°C
PEEK (optional)	max. +180°C

